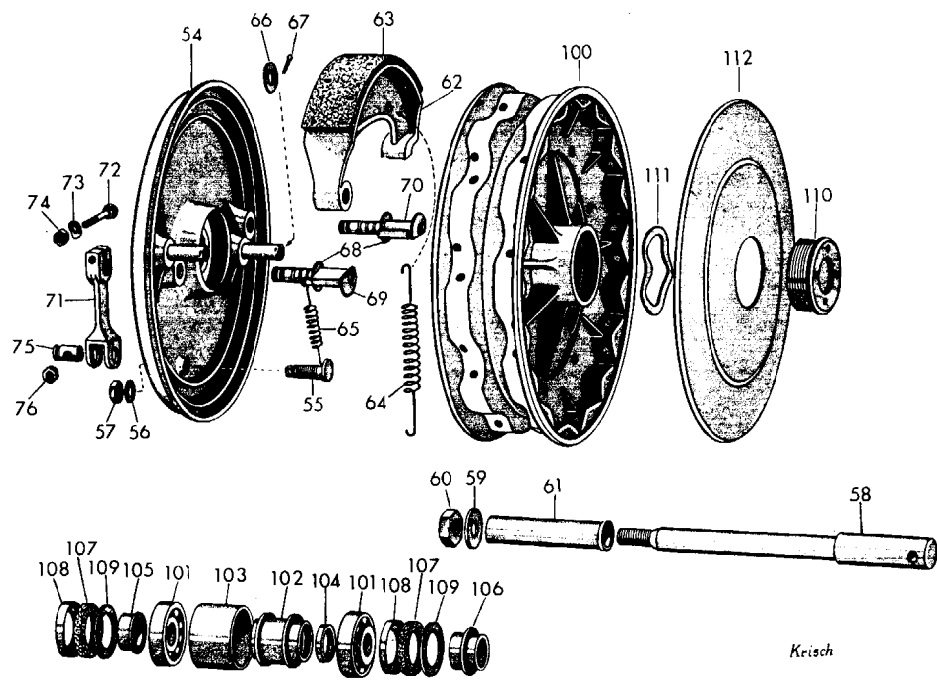
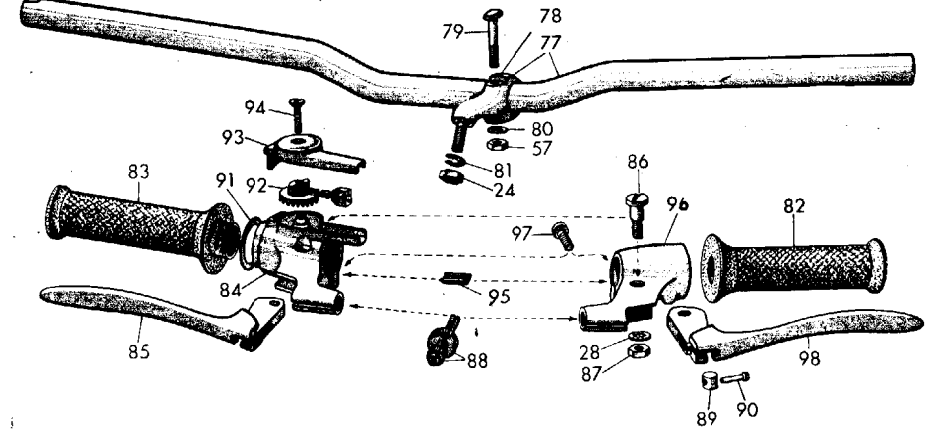
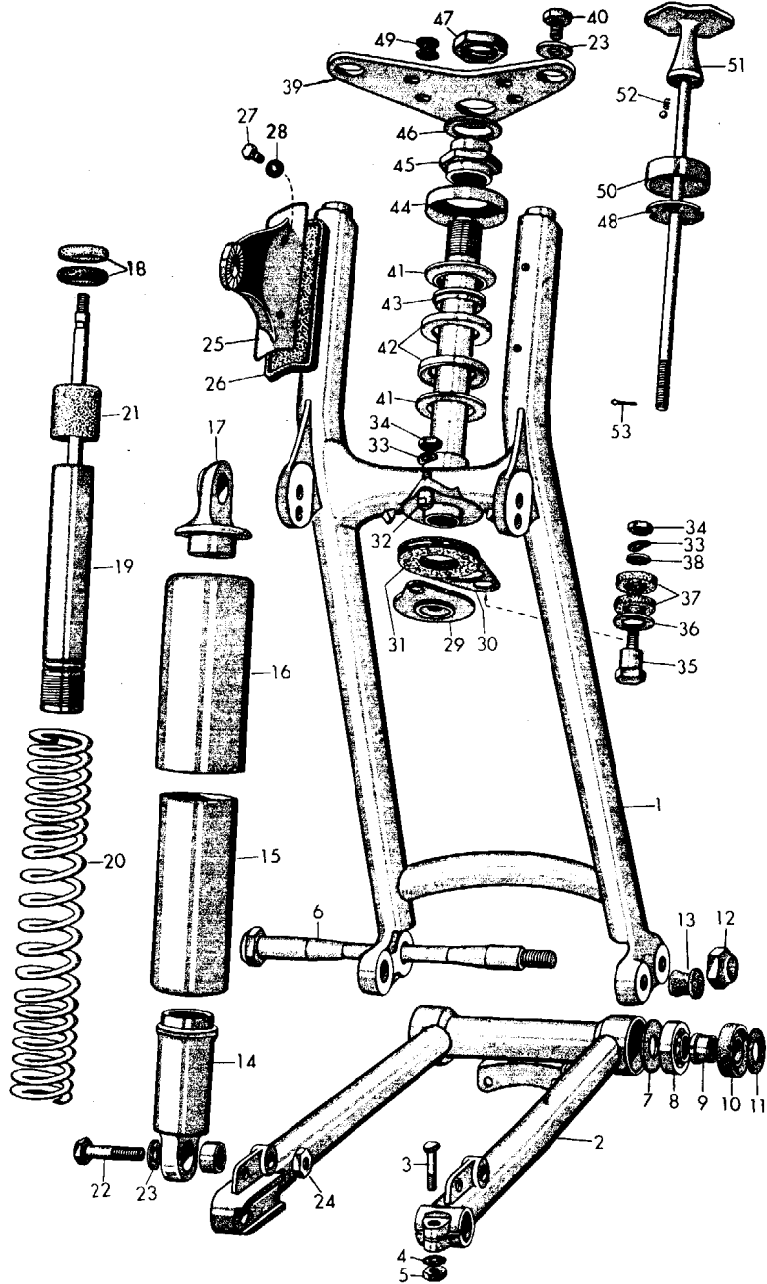


**20 =** { **Front Fork**  
**Front Wheel Brake**  
**Handlebars**  
**Wheels**  
**Cables**



Ordering No.	Call-out No.	Description of Part	Qty.
<b>Front fork</b>			
20 00 020	—	front fork, complete for solo motorcycle .....	1
20 00 021	—	front fork, complete, in color, for solo motorcycle ..	1
20 00 024	—	front fork, complete, for side car rig .....	1
20 00 025	—	front fork, complete, in color, for side car rig .....	1
20 00 362	1	front fork .....	1
20 00 363	1	front fork, in color .....	1
20 00 368	2	front fork swing arm .....	1
20 00 369	2	front fork swing arm, in color .....	1
Installation of front wheel shaft, left			
20 00 293	3	bolt .....	1
99 36 205	4	lock washer J 8.4 pho. ....	1
99 22 094	5	nut M 8×1—6 S pho.black. ....	1
Swing arm bearing installation			
20 00 320	6	shaft .....	1
20 00 322	7	washer .....	2
99 85 005	8	ballbearing 30 203 .....	2
20 00 324	9	bushing .....	2
20 00 330	10	seal .....	2
20 00 326	11	washer .....	2
20 00 328	12	cap nut .....	1
20 00 334	13	rubber plug .....	2
spring suspension (left and right)			
20 54 016	—	telescopic spring and shock assembly, complete, for solo motorcycle .....	2
20 54 017	—	telescopic spring and shock assembly, complete for solo motorcycle, in color .....	2
20 54 020	—	telescopic spring and shock assembly, complete, for side car motorcycle .....	2
20 54 021	—	telescopic spring and shock assembly, complete, for side car motorcycle, in color .....	2

Ordering No.	Call-out No.	Description of Part	Qty.
20 54 200	14	attachment, bottom .....	2
20 02 132	15	cover, bottom .....	2
20 02 126	16	cover, top .....	2
20 02 127	16	cover, top, in color .....	2
20 54 206	17	attachment, top .....	2
20 54 528	18	bottoming rings .....	4
20 54 234	—	silent block .....	4
20 54 232	19	shock absorber, complete .....	2
20 54 008	20	spring, 6.0 cm for solo motorcycle .....	2
20 54 009	—	spring, 6.3 cm for sidecar motorcycle .....	2
20 54 236	21	shock absorber seal .....	2
		Lower mounting of spring and fork legs, top	
99 14 345	22	screw M 10×1×42—10 K .....	4
20 00 345	23	washer .....	4
99 22 121	24	nut M 10×1—6 S pho.black. ....	4
		Headlight bracket, left and right	
20 00 372	—	headlight brackets, assembly .....	1
20 00 300	—	headlight bracket, left .....	1
20 00 301	—	headlight bracket, left, in color .....	1
20 00 308	25	headlight bracket, right .....	1
20 00 309	25	headlight bracket, right, in color .....	1
20 00 316	26	rubber spacer .....	2
20 00 318	27	screw .....	4
99 36 135	28	lock washer J 6,4 pho. ....	4
		Steering damper, lower assembly	
20 00 231	29	pressure plate .....	1
20 00 221	30	plate .....	1
20 00 235	31	friction lining .....	2
20 00 196	—	copper rivet .....	3
20 00 295	32	stud .....	1
99 32 091	33	spring washer B 8 .....	1
99 22 082	34	nut M 8—6 S pho.black. ....	1

Ordering No.	Call-out No.	Description of Part	Qty.
20 00 255	35	cap screw .....	1
99 31 850	36	washer 16 pho.black. ....	1
20 00 257	37	rubber spacer .....	2
99 31 066	38	washer 8,4 pho.black. ....	1
99 32 091	33	spring washer B 8 .....	1
99 22 082	34	nut M 8—6 S pho.black. ....	1
		<b>Handlebar installation and fork bearings</b>	
20 00 126	39	handlebar mounting plate .....	1
20 00 127	39	handlebar mounting plate, in color .....	1
20 00 345	23	washer .....	2
20 00 343	40	screw .....	2
20 00 188	41	bearing race with inside shoulder .....	2
20 00 190	42	bearing race with outside shoulder .....	2
99 86 255	—	ball 5,5 mm dia. ....	48
20 00 193	43	cage .....	1
20 00 184	44	cover .....	1
20 00 182	45	lower nut .....	1
20 00 297	46	spacer .....	1
20 00 101	47	upper nut .....	1
20 00 245	48	retainer plate .....	1
20 00 297	49	rubber grommet .....	2
20 00 114	50	cover .....	1
20 00 046	51	steering damper adjustment .....	1
20 00 118	52	spring .....	2
99 45 095	53	cotterpin 2×15 St. ....	1
		<b>Front wheel brake</b>	
20 60 214	54	front wheel brake holder .....	1
20 60 167	55	stud .....	1
10 80 108	56	washer .....	1
99 21 605	57	nut M 8×1—6 S cad. ....	1
20 60 225	58	shaft .....	1
99 31 089	59	washer 15 cad. ....	1

Ordering No.	Call-out No.	Description of Part	Qty.
99 22 155	60	nut M 14×1,5—6 S, chrom. plated .....	1
20 60 174	61	bushing .....	1
20 60 202	62	brake shoe .....	2
20 60 230	63	brake lining, optional part No. 20 60 231 .....	2
20 00 196	—	copper rivet .....	18
<b>Brake shoe and brake lever operation</b>			
20 60 237	—	brake shoe return spring, front .....	1
20 60 239	64	brake shoe return spring, rear .....	1
20 60 277	65	spring .....	1
20 60 269	66	washer .....	4
99 45 110	67	cotter pin, 2×20 .....	2
20 60 259	68	spacer .....	2
20 60 206	69	eccentric, front .....	1
20 60 207	70	eccentric, rear .....	1
20 60 210	71	lever .....	2
99 12 266	72	screw M 6×28—8 G pho.black. ....	2
99 32 071	73	spring washer B 6 .....	2
99 22 053	74	nut M 6—6 pho.black. ....	2
<b>Hand brake cable attachment, and brake lever</b>			
20 60 182	75	cable anchor (on brake lever, top and bottom) ....	2
20 60 178	76	nut .....	1
<b>Handlebars</b>			
20 72 032	77	handlebars for solo motorcycle .....	1
20 72 033	77	handlebars for sidecar motorcycle .....	1
20 72 306	78	clamp with stud .....	2
20 72 288	79	screw .....	2
99 36 205	80	star washer J 8,4 cad. ....	2
99 36 093	57	nut M 8×1—6 S cad. ....	2
99 33 102	81	lock washer A 10 .....	2
99 22 121	24	nut M 10×1—6 S pho.black. ....	2

Ordering No.	Call-out No.	Description of Part	Qty.
20 72 197	82	handlebar grip, left (fixed) .....	1
20 72 160	—	handlebar grip, right .....	1
20 72 352	83	throttle twist grip (for two cables), complete .....	1
20 72 380	84	housing with clamp screw .....	1
20 72 253	85	brake lever .....	1
20 72 217	86	lever shoulder screw .....	1
99 36 135	28	star washer J 6,4 .....	1
99 22 053	87	nut M 6 cad. ....	1
20 72 221	88	cable adjustment, complete .....	1
99 88 505	89	solder nipple retainer .....	1
99 88 530	90	solder nipple B 2,3 .....	1
20 72 261	91	washer .....	1
20 72 384	92	right angle gear, complete .....	1
20 72 382	93	cover .....	1
20 72 259	94	screw .....	1
99 88 550	—	solder nipple for throttle cable attachment .....	2
20 72 223	95	key .....	1
20 72 295	—	rear view mirror .....	1
90 38 106	—	glass for rear view mirror .....	1
		<b>High handlebars</b>	
20 72 034	—	high handlebars .....	1
20 72 322	—	clutch cable, long .....	1
20 72 346	—	hand brake cable, long .....	1
20 72 354	—	throttle cable, long .....	2
20 72 362	—	spark advance cable, long (For R 69 only) .....	1

Ordering No.	Call-out No.	Description of Part	Qty.
		Clutch lever for R 50	
20 72 210	—	clutch lever with key .....	1
20 72 217	86	shoulder screw .....	1
99 36 135	28	star washer J 6,4 .....	1
99 22 053	87	nut M 6 cad. ....	1
20 72 221	88	cable adjustment, complete .....	1
99 88 505	89	solder nipple retainer .....	1
99 88 530	90	solder nipple B 2,3 .....	1
20 72 223	95	key .....	1
20 72 127	96	lever attachment .....	1
20 72 219	97	clamp screw for lever attachment .....	1
20 72 213	98	clutch lever with bushing .....	1
		Clutch lever with ignition advance lever; for R 69	
20 72 313	—	clutch lever with ignition advance lever, complete .	1
20 72 329	—	lever attachment with clamp screw .....	1
20 72 213	—	lever with bushing .....	1
20 72 217	—	shoulder screw	1
99 36 135	—	star washer J 6,4	1
99 22 053	—	nut M 6 cad.	1
20 72 221	—	cable adjustment, complete	1
99 88 505	—	solder nipple retainer	1
99 88 530	—	solder nipple B 2,3	1
20 72 471	—	housing, complete	1
20 72 362	—	lever, complete	1
20 72 473	—	screw	1
20 72 477	—	spacer	1
20 72 475	—	spring	1
99 88 550	—	solder nipple for ignition advance adjustment	
		cable attachment .....	1
20 72 223	—	key .....	1
		<b>Wheels up to vehicle No.</b>	
		<b>R 50: 556 241 · R 69: 652 304</b>	
40 38 032	—	wheel with bearing 3×18" for solo motorcycle ....	2



Ordering No.	Call-out No.	Description of Part	Qty.
40 38 037	—	front wheel 3×18" with bearing for sidecar motorcycle .....	1
40 38 038	—	rear wheel 4×18" with bearing for sidecar motorcycle .....	1
40 38 210	—	alloy rim 2,15 B×18" for solo motorcycle, optional part No. 40 38 211 .....	2
40 38 216	—	steel rim 2,15 B×18", chrome plated, for sidecar motorcycle, front wheel .....	1
40 38 218	—	steel rim 2,75 C×18", chrome plated, for sidecar motorcycle, rear wheel .....	1
40 38 219	—	steel rim 2,75 C×18", in color, for sidecar motorcycle, rear wheel .....	1
40 38 204	—	spoke for solo motorcycle (front and rear wheel) .. for sidecar motorcycle (rear wheel) .....	80 40
40 38 206	—	spoke for sidecar motorcycle (rear wheel) .....	40
40 38 173	—	spoke retainer plate .....	80
99 30 065	—	nipple M 3,5 Ms., chrome plated, for spoke .....	80
20 30 015	100	hub .....	2
99 85 010	101	ballbearing 30 204 .....	4
40 38 225	102	bushing .....	2
40 38 229	103	bushing .....	2
40 38 231	104	spacer .....	2
40 38 241	105	bushing, right .....	2
40 38 242	106	bushing, left .....	2
40 38 259	107	felt ring .....	4
40 38 255	108	felt ring retainer .....	4
40 38 267	109	washer .....	4
40 38 271	110	cover screw .....	2
40 38 263	111	spring washer .....	2
40 38 275	112	hub cover plate .....	2
<b>Wheels from vehicle No.</b>			
<b>R 50: 556 242 · R 60: · R 69: 652 305</b>			
40 38 035	—	wheel with bearing 3×18" for solo motorcycle ....	2

Ordering No.	Call-out No.	Description of Part	Qty.
40 38 039	—	front wheel 3×18" with bearing for sidecar motorcycle .....	1
40 38 040	—	rear wheel 4×18" with bearing for sidecar motorcycle .....	1
40 38 212 ✓	—	alloy rim 2,15 B×18" for solo motorcycle .....	2
40 38 217 ✓	—	steel rim 2,15 B×18", chrome plated, for sidecar motorcycle, front wheel .....	1
40 38 220	—	steel rim 2,75 C×18", chrome plated, for sidecar motorcycle, rear wheel .....	1
40 38 221	—	steel rim 2,75 C×18", in color, for sidecar motorcycle, rear wheel .....	1
40 38 111	—	spoke for solo motorcycle (front and rear wheel) ..	80
		for sidecar motorcycle (rear wheel) .....	40
40 38 207	—	spoke for sidecar motorcycle (rear wheel) .....	40
40 38 173	—	spoke retainer plate .....	80
99 30 065	—	nipple M 3,5 Ms., chrome plated, for spoke .....	80
20 30 017	100	hub .....	2
99 85 010	101	ballbearing 30204 .....	4
40 38 225	102	bushing .....	2
40 38 229	103	bushing .....	2
40 38 231	104	spacer .....	2
40 38 241	105	bushing, right .....	2
40 38 242	106	bushing, left .....	2
40 38 259	107	felt ring .....	4
40 38 255	108	felt ring retainer .....	4
40 38 267	109	washer .....	4
40 38 271	110	cover screw .....	2
40 38 263	111	spring washer .....	2
40 38 275	112	hub cover plate .....	2
		To balance wheels as required	
40 38 296	—	balancing weight (15 grams) .....	—
40 38 297	—	balancing weight (10 grams) .....	—

Ordering No.	Call-out No.	Description of Part	Qty.
		<b>Control cable</b>	
20 72 320	—	clutch cable for solo motorcycle .....	1
20 72 321	—	clutch cable for sidecar motorcycle .....	1
99 88 215	—	steel cable A 2 (×1350 mm) } for solo	Deliverable in running meters
99 88 275	—	cable housing B 3 (×1075 mm) } motorcycle	
99 88 215	—	steel cable A 2 (×1395 mm) } for sidecar	Deliverable in running meters
99 88 275	—	cable housing B 3 (×1120 mm) } motorcycle	
20 72 420	—	end piece .....	1
99 88 330	—	bushing C 3 .....	1
99 88 505	—	solder nipple retainer .....	2
99 88 530	—	nipple B 2,3 .....	2
20 72 344	—	handbrake cable for solo motorcycle .....	1
20 72 345	—	handbrake cable for sidecar motorcycle .....	1
99 88 215	—	steel cable A 2 (×1240 mm) } for solo	Deliverable in running meters
99 88 275	—	cable housing B 3 (×970 mm) } motorcycle	
99 88 215	—	steel cable A 2 (×1265 mm) } for sidecar	Deliverable in running meters
99 88 275	—	cable housing B 3 (×990 mm) } motorcycle	
20 72 440	—	threaded nipple .....	1
20 72 444	—	guide bushing .....	1
20 72 142	—	rubber grommet .....	1
99 88 330	—	bushing C 3 .....	1
99 88 505	—	solder nipple retainer .....	1
99 88 530	—	nipple B 2,3 .....	1
20 72 139	—	bowden nipple .....	1
20 72 358	—	throttle cable for solo motorcycle .....	2
20 72 359	—	throttle cable for sidecar motorcycle .....	2
99 88 205	—	steel cable A 1,6 (×997 mm) for solo motorcycle and A 1,6 (×1023 mm) for sidecar motorcycle, deliverable only in running meters .....	—
99 88 330	—	bushing C 3 .....	4
99 88 550	—	solder nipple retainer .....	4
		<b>Ignition advance cable for R 69</b>	
20 72 367	—	ignition advance cable for solo motorcycle .....	1
20 72 368	—	ignition advance cable for sidecar motorcycle ....	1

Ordering No.	Call-out No.	Description of Part	Qty.
99 88 205	—	steel cable A 1,6 (×775 mm) for solo motorcycle and A 1,6 (×800 mm) for sidecar motorcycle, deliverable only in running meters .....	—
99 88 330	—	bushing C 3 .....	2
99 88 550	—	solder nipple retainer .....	2
80 04 144	—	adjustment screw with nut .....	1