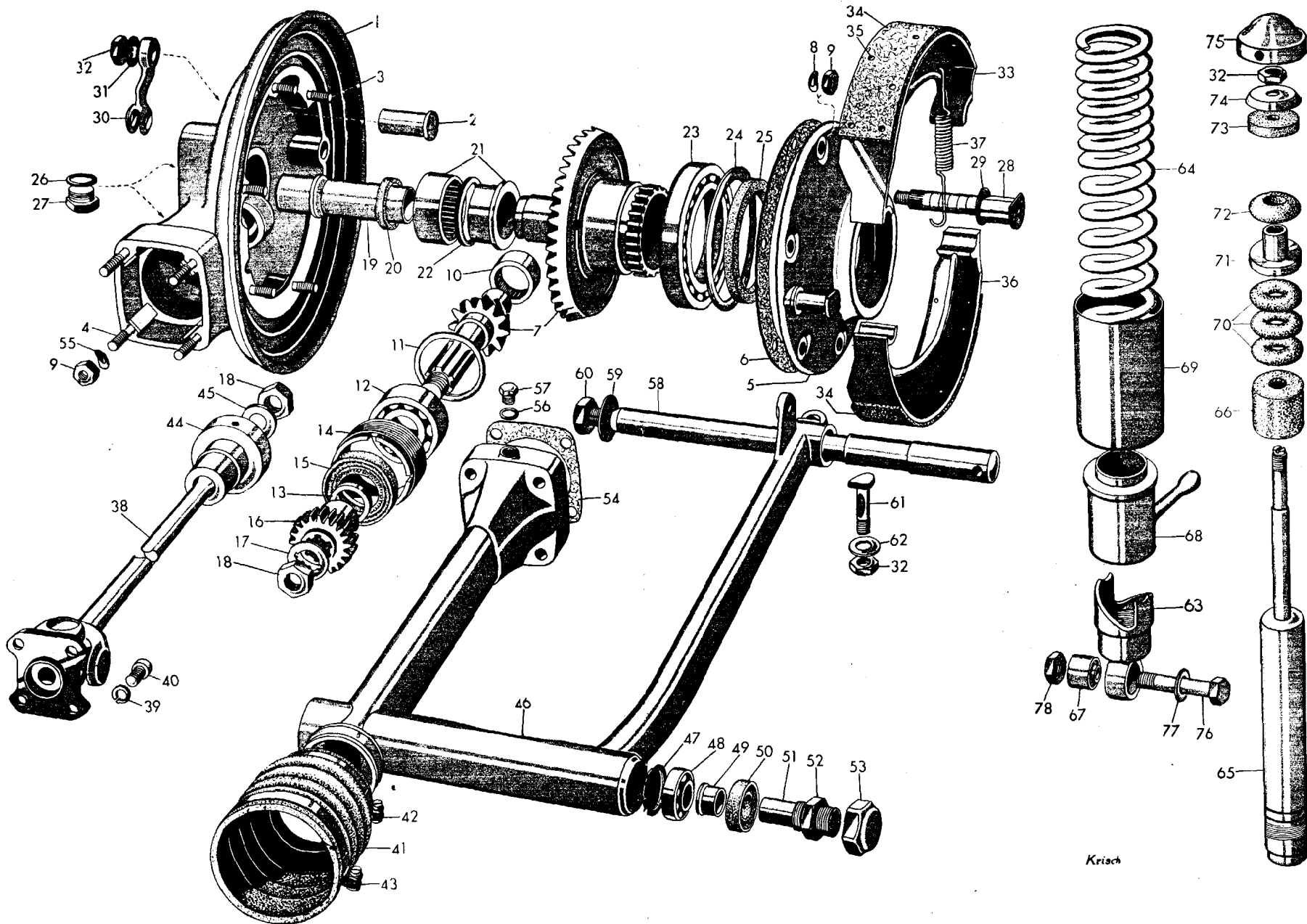


**30 = {**  
**Rear Wheel Drive**  
**Rear Wheel Brake**



Kriach

Ordering No.	Call-out No.	Description of Part	Qty.
		<b>Rear wheel drive with swingarm</b>	
30 04 030	—	rear wheel drive, 35:11 ratio for solo motorcycle ... R 50 up to vehicle No. 555 005 R 69 up to vehicle No. 652 304	1
30 04 031	—	R 50 from vehicle No. 555 006 R 69 from vehicle No. 652 305	
30 04 035	—	rear wheel drive, 32:11 ratio for solo motorcycle, R 60 .....	1
30 04 032	—	rear wheel drive, 34:8 for sidecar motorcycle .....	1
		R 50 up to vehicle No. 555 005 R 69 up to vehicle No. 652 304	
30 04 033	—	R 50 from vehicle No. 555 006 R 69 from vehicle No. 652 305	
30 04 034	—	rear wheel drive, 26:6 ratio for sidecar motorcycle . R 50 from vehicle No. 555 006 R 69 from vehicle No. 652 305	1
30 04 029	—	rear wheel drive, 27:7 ratio for sidecar motorcycle R 60 .....	1
30 04 304	1	bevel gear housing with studs .....	1
		R 50 up to vehicle No. 555 005 R 69 up to vehicle No. 652 304	
30 04 317	2	bushing .....	1
99 03 503	3	stud M 8×1×15 Sn—5 S pho.black. (E) .....	6
99 03 530	4	stud M 8×1×28 Sn—pho.black. (E) .....	4
30 04 309	5	cover with bearing for bevel gear housing .....	1
		R 50 up to vehicle No. 555 005 R 69 up to vehicle No. 652 304	
30 04 310	5	R 50 from vehicle No. 555 006 R 69 from vehicle No. 652 305 R 60	
30 04 319	6	gasket between bevel gear housing and cover .... R 50 up to vehicle No. 555 005 R 69 up to vehicle No. 652 304	1

Ordering No.	Call-out No.	Description of Part	Qty.
30 04 320	6	R 50 from vehicle No. 555 006 R 69 from vehicle No. 652 305 R 60	
30 10 170	—	bevel gear with pinion, set, 35:11 ratio, for solo motorcycle .....	1
		R 50 up to vehicle No. 555 005 R 69 up to vehicle No. 652 304	
30 10 171	7	R 50 from vehicle No. 555 006 R 69 from vehicle No. 652 305	
30 10 183	7	bevel gear with pinion, 32:11 ratio, for solo motorcycle, R 60 .....	1
30 38 240	—	inner ring for pinion for solo motorcycle .....	1
		R 50 up to vehicle No. 555 005 R 69 up to vehicle No. 652 304	
30 10 174	—	bevel gear with pinion, 34:8 ratio, for sidecar motorcycle .....	1
		R 50 up to vehicle No. 555 005 R 69 up to vehicle No. 652 304	
30 10 175	—	R 50 from vehicle No. 555 006 R 69 from vehicle No. 652 305	
30 10 181	—	bevel gear with pinion, 26:6 ratio, for sidecar motorcycle .....	1
		R 50 from vehicle No. 555 006 R 69 from vehicle No. 652 305	
30 10 185	—	bevel gear with pinion, 27:7 ratio, for sidecar motorcycle, R 60 .....	1
		inner ring for pinion needle bearing .....	1
		R 50 up to vehicle No. 555 005 R 69 up to vehicle No. 652 304	
99 32 091	8	spring washer B 8 .....	6
99 21 606	9	nut M 8×1—6 S pho.black. ....	6
		<b>Pinion bearing in bevel gear housing</b>	
30 38 244	—	bearing needle, R 50 up to vehicle No. 555 005, R 69 up to vehicle No. 652 304 .....	28

Ordering No.	Call-out No.	Description of Part	Qty.
30 38 245	10	JNA-needle bearing, R 50 from vehicle No. 555 006, R 69 from vehicle No. 652 305 .....	1
30 38 198	11	spacer .....	1
99 82 467	12	tapered bearing 3304 X .....	1
30 38 248	13	spacer .....	1
30 38 252	14	threaded ring .....	1
30 38 256	15	seal .....	1
30 38 260	16	clutch spline .....	1
30 38 264	17	lock plate .....	1
99 21 630	18	nut M 14×1,5—6 S pho.black. ....	1
<b>Bevel gear bearing support in bevel gear housing</b>			
30 04 334	19	bushing .....	1
30 04 336	20	seal .....	1
30 04 338	21	JNA-needle bearing .....	1
30 04 340	22	spacer .....	1
99 81 760	23	roller bearing 16013 .....	1
30 04 344	24	shim (thickness as required) .....	1
30 04 342	25	seal .....	1
<b>Oil inlet and oil drain in bevel gear housing</b>			
99 63 242	26	gasket C 14×20 steel-asbestos .....	2
99 63 259	26	gasket C 16×20 steel-asbestos (for part No. 00 07 108) (for R 69, only 1 req.) .....	as req.
00 07 104	27	plug (for R 69, only 1 req. for oil inlet) .....	2
00 07 106	27	plug, 0,1 mm, oversize, (for R 69 only 1 req.) .....	as req.
00 07 108	27	plug, with thread M 16×1,5 (as a replacement for part No. 00 07 106, when the thread is damaged) (for R 69, only 1 req. for oil inlet) .....	as req.
00 07 161	—	drain plug with magnet for oil drain (only for R 69)	1
00 07 160	—	drain plug with magnet for oil drain, 0,1 mm, oversize (for R 69) .....	1
00 07 162	—	drain plug with magnet for oil drain, with thread M 16×1,5 (when the thread is damaged) only for R 69) .....	1

Ordering No.	Call-out No.	Description of Part	Qty.
		<b>Rear wheel brake</b>	
30 60 216	28	eccentric .....	1
30 60 107	29	plate for eccentric .....	1
30 60 206	30	brake lever for solo motorcycle .....	1
30 60 207	—	brake lever with threaded hole for sidecar motorcycle .....	1
30 60 206	—	brake lever for sidecar motorcycle .....	1
99 36 225	31	star washer J 10,5 pho. ....	1
99 21 617	32	nut M 10×1—6 S pho.black. ....	1
30 60 244	33	upper brake shoe with lining, rear .....	1
30 60 230	34	brake lining for upper and lower brake shoe .....	2
20 00 196	35	copper rivet .....	18
30 60 248	36	lower brake shoe with lining, rear .....	1
20 60 237	37	spring .....	2
		<b>Drive shaft with universal joint</b>	
30 38 032	38	drive shaft with universal joint .....	1
30 38 220	39	lock washer .....	4
99 19 725	40	screw M 8×1×15—8 G pho.black. ....	4
30 38 224	41	rubber sleeve to cover universal joint .....	1
30 38 228	42	clamp for rubber sleeve, rear .....	1
30 38 232	43	clamp for rubber sleeve, front .....	1
30 38 237	44	coupling ring .....	1
99 31 681	45	washer 15 St. pho.black. ....	1
09 21 630	18	nut M 14×1,5—6 S pho.black. ....	1
		<b>Rear swingarm with bearing support</b>	
30 54 260	46	swingarm with bearing support .....	1
30 54 168	47	cover plate .....	1
99 85 005	48	roller bearing 30 203 .....	2
20 00 324	49	bushing .....	2
20 00 330	50	seal .....	2
30 54 170	51	bearing retainer .....	2

Ordering No.	Call-out No.	Description of Part	Qty.
30 54 174	52	nut .....	2
30 54 172	53	cap nut .....	2
30 54 266	54	gasket .....	1
99 32 080	55	spring washer A 8 .....	4
99 22 094	9	nut M 8×1—6 S pho.black. ....	4
99 63 086	56	gasket C 10×14 steel-asbestos .....	2
99 19 215	57	plug AM 10×1—6 S pho.black. ....	2
<b>Rear wheel axle</b>			
30 04 368	58	axle .....	1
30 04 378	59	spacer .....	1
99 22 155	60	nut M 14×1,5—6 S .....	1
30 54 176	61	bolt .....	1
99 31 076	62	washer 10,5 St. pho.black. ....	1
99 21 617	32	nut M 10×1—6 S pho.black. ....	1
<b>Shock absorber/spring assembly, rear</b>			
30 54 034	—	shock absorber/spring assembly, left .....	1
30 54 035	—	shock absorber/spring assembly, right .....	1
30 54 038	—	shock absorber/spring assembly, for sidecar motorcycle, left .....	1
30 54 039	—	shock absorber/spring assembly, for sidecar motorcycle, right .....	1
30 54 280	63	shock absorber/spring assembly cup, left .....	1
30 54 281	—	shock absorber/spring assembly cup, right .....	1
30 54 284	64	spring 7 cm dia. for solo motorcycle .....	2
30 54 286	—	spring 7,6 cm dia. for sidecar motorcycle .....	2
30 54 290	65	shock absorber, with nut .....	2
20 54 236	66	shock absorber seal .....	2
30 54 296	67	silent bloc .....	2
30 54 194	68	adjustment, with cam rider .....	2
30 54 240	69	cover, bottom .....	2
30 54 528	70	bottoming ring .....	2

Ordering No.	Call-out No.	Description of Part	Qty.
30 54 200	71	top plate .....	2
30 54 204	72	rubber bumper .....	2
30 54 208	73	rubber bumper .....	2
30 54 210	74	cup .....	2
30 54 212	75	cover .....	2
<b>Shock absorber/spring assembly, on left swingarm</b>			
99 14 625	76	nut M 12×1,5×45—8 G cad. ....	1
99 31 084	77	washer 13—St. cad. ....	1
99 21 626	78	nut M 12×1,5—6 S cad. ....	1
<b>Shock absorber/spring assembly, on bevel gear housing</b>			
30 54 270	—	screw .....	1
99 31 084	—	washer 13—St. cad. ....	1
30 54 274	—	spacer .....	1