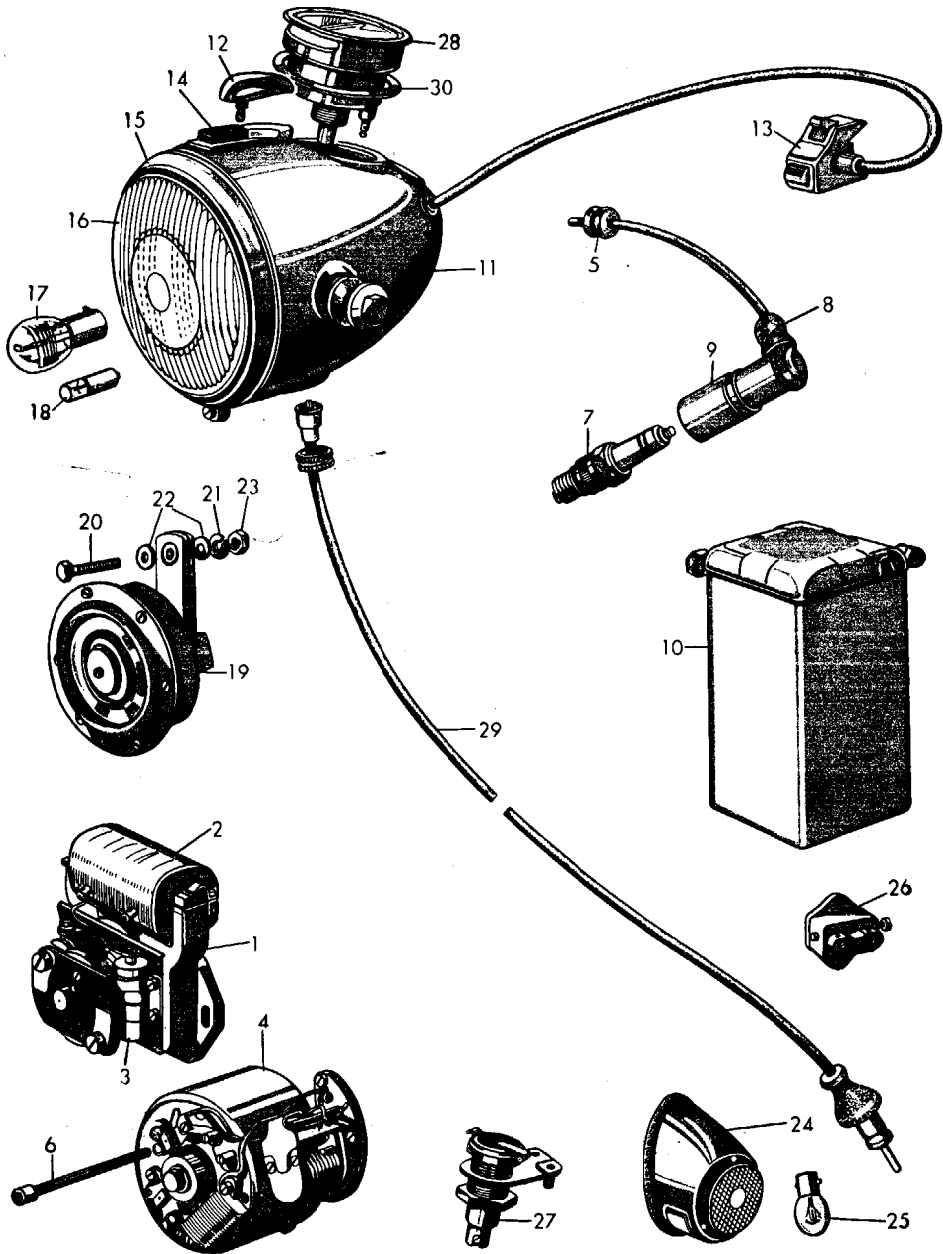


**80 = Electrical Equipment
and
Speedometer**



Ordering No.	Call-out No.	Description of Part	Qty.
Ignition system for R 50 and R 60			
Magneto			
80 04 025	1	magneto with automatic spark advance	1
80 04 100	—	allenhead screw for mounting of magneto rotor ..	1
80 04 104	2	ignition coil	1
80 04 108	—	magneto rotor, complete	1
80 04 112	—	centrifugal regulator, complete	1
80 02 171	—	spring for centrifugal regulator	1
80 02 172	—	spring for centrifugal regulator	1
80 04 116	—	ignition point	1
80 04 120	—	clamping screw for ignition cable	2
80 04 124	—	clamping screw for condenser cable	1
80 04 128	—	screw for ignition point spring	1
80 04 132	—	nut	1
80 04 136	—	insulating plate, small	1
80 04 138	—	insulating plate, large	2
80 04 140	—	washer	1
80 04 142	—	spring	1
80 30 104	3	condenser	1
80 30 110	—	breaker	1
Ignition system for R 69			
80 04 027	1	magneto, Bosch	1
80 36 184	—	allenhead screw for mounting of magneto rotor ..	1
80 04 106	2	ignition coil	1
80 04 110	—	magneto rotor, complete	1
80 04 112	—	centrifugal regulator, complete	1
80 02 171	—	spring for centrifugal regulator	1
80 02 172	—	spring for centrifugal regulator	1
80 04 116	—	ignition point	1
80 04 120	—	clamping screw for ingnition cable	1
80 04 124	—	clamping screw for condenser cable	1
80 04 128	—	screw for ignition point spring	1

Ordering No.	Call-out No.	Description of Part	Qty.
80 04 132	—	nut	1
80 04 136	—	insulating plate, small	1
80 04 138	—	insulating plate, large	2
80 04 140	—	washer	1
80 04 142	—	spring	1
80 30 104	—	condenser	1
80 30 110	—	breaker	1
Generator			
80 02 029	4	generator L 60/6/1500 L	1
80 02 106	—	carbon brush	2
80 02 202	—	rotor	1
80 02 211	—	field winding (4 coils)	1
80 02 224	—	field resistor	1
80 08 153	—	voltage regulator	1
80 36 168	—	brush spring	2
80 36 172	—	clamping screw	4
80 36 176	—	screw for voltage regulator, field resistor, and brush connection	3
80 36 180	—	screw to mount field resistor	2
80 36 184	—	allenhead screw for rotor mounting	1
80 36 150	5	rubber grommet on ignition cable, left and right ..	2
99 19 960	6	allenhead screw M 6×70—8 G pho.black.	2
80 36 163	—	rubber grommet on engine housing for cable	2
99 76 330	7	sparkplug 14 W 250 T 1	2
80 36 000	—	ignition wire, left and right	2
80 36 152	8	rubber grommet, black, on sparkplug connector ..	2
80 36 156	9	sparkplug connector	2
Battery			
80 42 025	10	battery 6 volts, 8 ampere-hours	1
80 42 109	—	bottom pad	1
80 42 138	—	rubber band	1

Ordering No.	Call-out No.	Description of Part	Qty.
80 42 212	—	bottom plate	1
99 13 442	—	screw M 6×12—8 G pho.black.	2
99 36 135	—	star washer J 6,4 pho.	2
99 22 059	—	nut M 6—6 S pho.black.	2
80 42 131	—	cushioning	3
Headlight installation			
80 50 020	11	headlight	1
80 48 118	12	ignition key, black	1
80 48 119	—	spare ignition key	1
80 48 127	—	neutral indicator window, with socket, green, and charge indicator window, with socket, red	1
80 48 128	—	gasket for indicator window	1
80 48 129	—	socket for neutral and charge indicator bulbs	1
80 48 162	13	dimmer switch, with horn button, and screw	1
80 48 173	—	switchplate, with ignition switch cover	1
80 48 179	—	headlight bulb socket	1
80 48 181	—	clamp for headlight bulb socket	1
80 48 185	14	ignition switch cover	} for self-closing ignition switch cover
80 48 189	—	housing for ignition switch cover	
80 48 191	—	spring	
80 50 128	15	headlight rim (with screw)	1
80 50 134	—	washer	} for headlight mounting
80 50 136	—	rubber washer	
80 50 138	—	rubber grommet	
80 50 154	16	headlight lens	1
80 50 157	—	gasket for headlight lens	1
80 50 160	—	clip for headlight lens	6
80 50 181	—	reflector (mirror)	1
80 50 185	—	screw for mounting of headlight rim	1
80 60 113	—	cable from headlight to dimmer switch	1
80 70 178	—	rubber grommet for speedometer cable	1
80 70 196	—	rubber grommet for cable	1
80 70 199	—	rubber grommet for dimmer switch	1

Ordering No.	Call-out No.	Description of Part	Qty.
99 12 436	—	screw M 8×25 to mount headlight	2
99 19 360	—	screw M 4×6 (for dimmer switch)	1
99 78 006	17	headlight bulb B 6 V 35/35 W	1
99 78 007	17	headlight bulb B 6 V 35/35 W—G (yellow)	1
99 78 243	18	bulb H 6 V 2 W, for parking light, charge, and neutral indicator	3
Horn with mounting			
80 46 028	19	horn, black	1
99 12 620	20	screw M 10×30—8 G pho.black.	1
99 33 108	21	spring washer B 10	1
99 31 076	22	washer 10,5 pho.black.	2
99 22 111	23	nut M 10—6 S pho.black.	1
Tail light			
80 48 165	26	stop light switch	1
80 54 116	25	bulb 6 V 20/5 W	1
80 54 120	—	tail light lens	1
80 54 124	—	tail light rim	1
80 54 128	—	cap nut	1
80 54 132	—	license plate illuminating lens	1
80 54 111	—	tail light with license plate illumination	1
80 54 121	—	tail light window for part No. 80 54 111	1
80 54 123	—	rubber gasket for part No. 80 54 111	1
80 54 125	—	rim with screw for part No. 80 54 111	1
80 54 127	—	retainer spring for part No. 80 54 111	1
80 54 130	—	socket for part No. 80 54 111	1
80 54 131	—	spring for part No. 80 54 111	1
80 54 133	—	reflector for part No. 80 54 111	1
80 54 134	—	bulb for part No. 80 54 111	1
80 54 135	—	tail light lens for part No. 80 54 111	1
80 54 139	—	mirror for part No. 80 54 111	1
80 54 136	—	rivets	2

Ordering No.	Call-out No.	Description of Part	Qty.
99 16 620	—	round head screw	
		M 5×12—5 S pho.black.	
99 22 036	—	nut M 5—6 S pho.black.	3
99 36 110	—	star washer J 5,3 pho.	3
99 19 385	—	screw M 4×15—5 S pho.black.	2
99 36 040	—	star washer J 4,3 pho.	2
99 22 026	—	nut M 4—6 S pho.black.	2
40 34 158	—	license plate holder	1
99 13 210	—	screw M 5×8—8 G pho.black.	2
99 36 110	—	star washer J 5,3 pho.	2
99 22 036	—	nut M 5—6 S pho.black.	2
		cables, wires, etc.	
80 40 001	—	troubleshooting light (as required)	1
80 60 102	27	jack (for troubleshooting light)	1
80 60 106	—	plug (as required)	1
99 79 060	—	cable NYLHY 3×0.75 mm ² (×1100) from jack to tail light (deliverable only in running meters)	—
40 66 130	—	cable clamp (130 mm long)	5
80 70 114	—	cable clamp (135 mm long)	3
80 70 118	—	cable clamp (220 mm long)	3
80 70 232	—	clamp 22 mm dia.	2
80 70 228	—	clamp	1
99 45 110	—	pin 2×20 St.	2
99 76 425	—	wire B 0.75 (×120) black (deliverable only in running meters)	—
			—
		Cable and wires	
80 66 030	—	cable with wires	1
99 76 420	—	wire B 0.75 (×1580) Cu., brown, from headlight (Kl. 31) to cable junction	
99 76 425	—	wire B 0.75 (×370) Cu., black, from cable junction to stop light switch	
99 76 425	—	wire B 0.75 (×1580) Cu., black, from headlight (Kl. 58) to cable junction	

Ordering No.	Call-out No.	Description of Part	Qty.
99 76 425	—	wire B 0.75 (×1900) Cu., black, from headlight (Kl. 15) to stop light switch	
99 76 425	—	wire B 0.75 (×2335) Cu., black, from headlight (neutral indicator) to transmission (neutral)	
99 76 426	—	wire B 0.75 (×1425) Cu., blue, from charge indicator to generator (Kl. 61)	
99 76 484	—	wire B 1.5 (×1360) Cu., black-red, from headlight (Kl. 2) magneto (Kl. 2)	
99 76 485	—	wire B 1.5 (×780) Cu., black, from battery to transmission	
99 76 485	—	wire B 1.5 (2×1060), black, from headlight (Kl. H) and Kl. 15) to horn	
99 76 485	—	wire B 1.5 (×1420), black, from generator (Kl. 30) to battery +	
99 76 486	—	wire B 1.5 (×1490), brown, from headlight (Kl. 31) to generator (Kl. 31)	
99 76 511	—	wire B 2.5 (×1425), red, from headlight (Kl. 30/51) to generator (Kl. 51)	
99 75 260	—	insulator tubing B 4×5 (×250), black	
99 75 270	—	insulator tubing B 5×6.2 (×335), black	
99 75 282	—	insulator tubing B 6×7.2 (×235), black	
99 75 282	—	insulator tubing B 6×7.2 (2×205), black	
99 75 290	—	insulator tubing B 7×8.2 (×220), black	
99 75 300	—	insulator tubing B 8×9.4 (×510), black	
99 75 312	—	insulator tubing B 9×10.4 (×400), black	
99 75 332	—	insulator tubing B 12×13.6 (×490), black	
80 70 174	—	rubber grommet for insulator tubing part No. 99 75 260	3
80 70 186	—	rubber grommet for insulator tubing part No. 99 75 332	1
80 70 188	—	rubber grommet for insulator tubing B 6×7.2 (×235)	6
80 70 189	—	rubber grommet for transition from insulator tubing part No. 99 75 332 to insulator tubings, part Nos. 99 75 282, 99 75 300 and 99 75 312	1
80 70 220	—	rubber grommet for insulator tubing B 6×7.2 (×205)	2

Ordering No.	Call-out No.	Description of Part	Qty.
80 70 224	—	rubber grommet on battery cable	1
80 70 138	—	cable tubing	2
80 70 139	—	cable tubing	1
80 70 190	—	cable tubing for wire attachment for charge indicator and neutral indicator	2
Speedometers			
for R 50 solo motorcycle			
80 80 076	28	speedometer (ratio = 0.75), with gasket and bulb ..	1
for R 50 sidecar motorcycle			
80 80 078	28	speedometer (ratio = 1.0), with gasket and bulb ..	1
		(ratio = 1.6), with gasket and bulb	1
	28	speedometer, with tripmeter, with mileage indication	1
for solo motorcycle, R 60			
80 80 090	28	speedometer (ratio = 0.7), with gasket and bulb ..	1
80 80 091	28	speedometer, with mileage indication (ratio = 1.12)	1
	28	speedometer, with tripmeter, with mileage indication	1
For sidecar motorcycle, R 60			
80 80 094	28	speedometer (ratio = 0.9), with gasket and bulb ..	1
80 80 095	28	speedometer, with mileage indication (ratio = 1.44)	1
	28	speedometer, with tripmeter, with mileage indication	1
For solo motorcycle, R 69			
80 80 084	28	speedometer (ratio = 0.75), with gasket and bulb ..	1
For sidecar motorcycle, R 69			
80 80 086	28	speedometer (ratio = 1.0), with gasket and bulb ..	1
80 80 087	28	speedometer, with mileage indication (ratio = 1.6)	1
	28	speedometer, with tripmeter, with mileage indication	1

Ordering No.	Call-out No.	Description of Part	Qty.
		For solo motorcycle, R 50 and R 69	
80 80 077	28	speedometer, with mileage indication (ratio = 1.2)	1
	28	speedometer, with tripmeter, with mileage indication	1
		For R 50, R 60 and R 69	
80 80 180	29	speedometer cable, with grommet	1
80 80 160	—	grommet for speedometer cable	1
80 80 115	30	gasket	1
99 78 270	—	bulb J 6 V 0.6 W	1